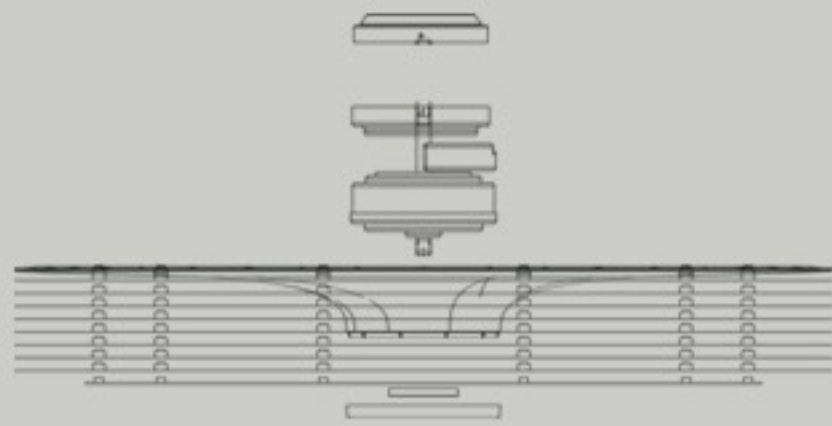




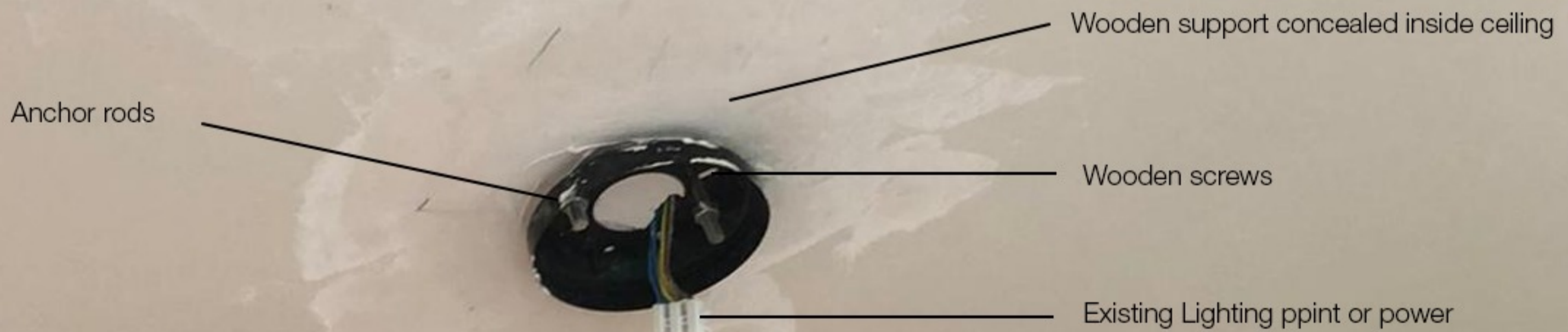
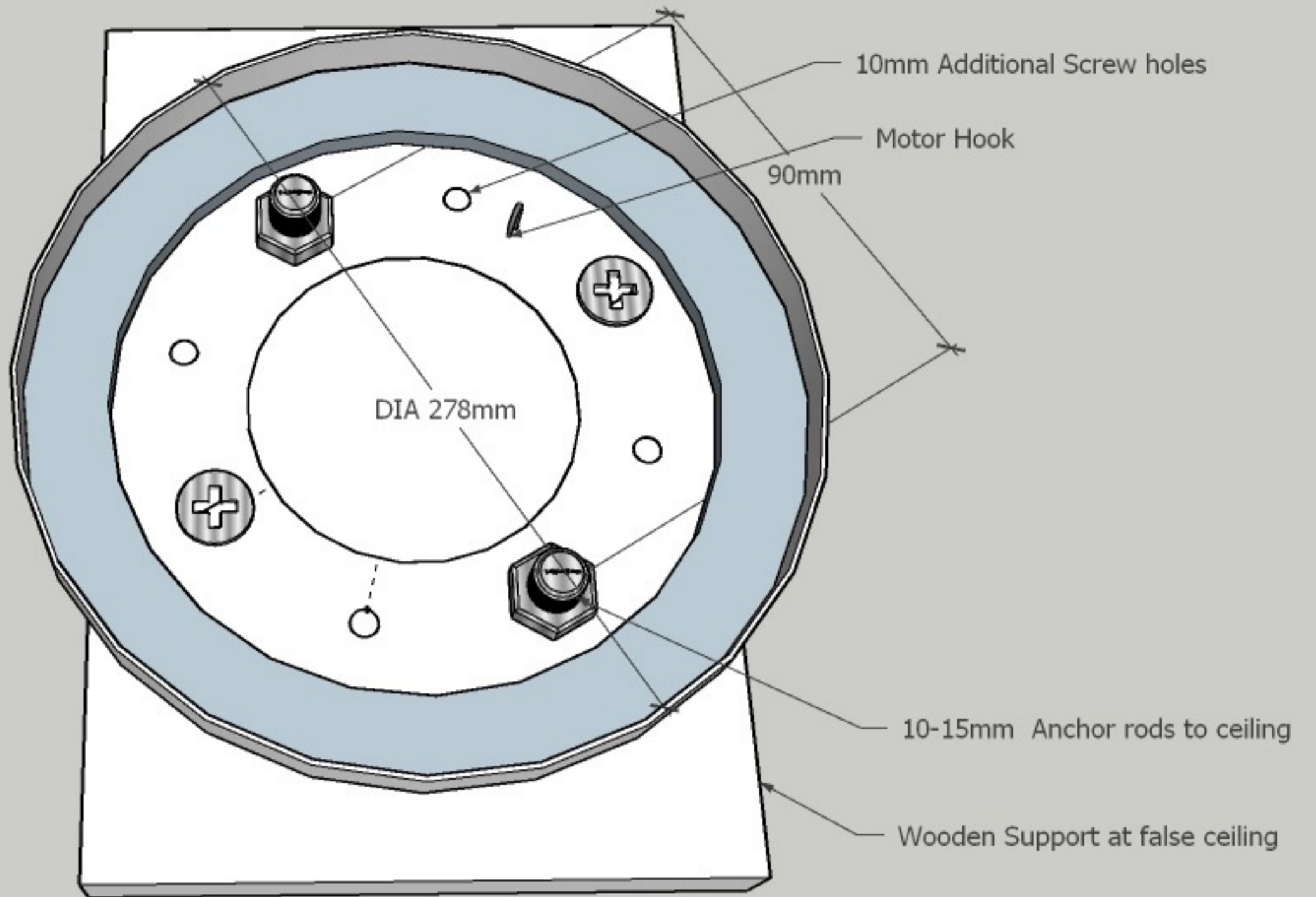
## Base Plate Mounting Dimension



Base Plate

Motor

Fan



Sample of Reinforcement on false ceiling